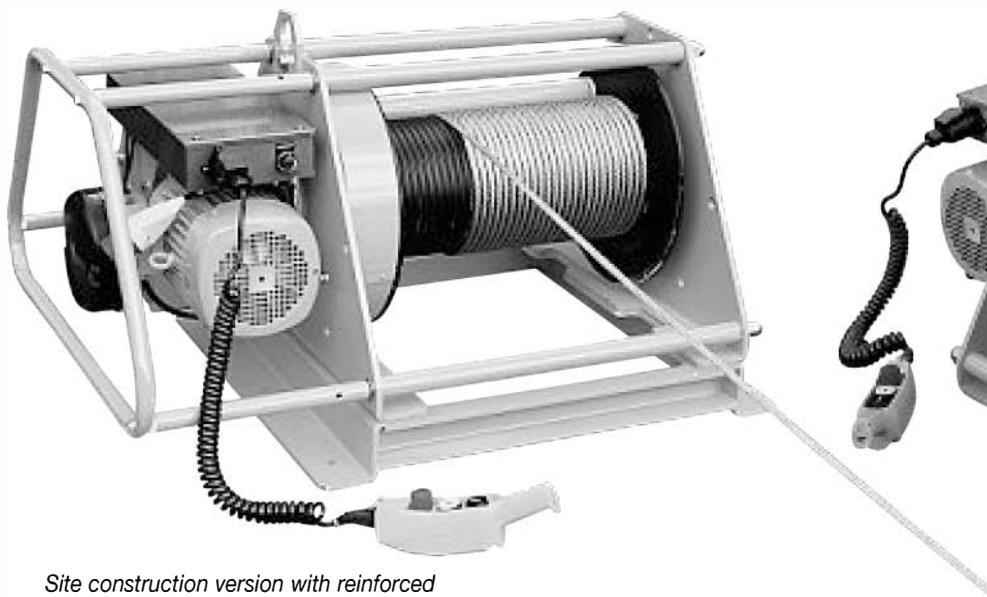
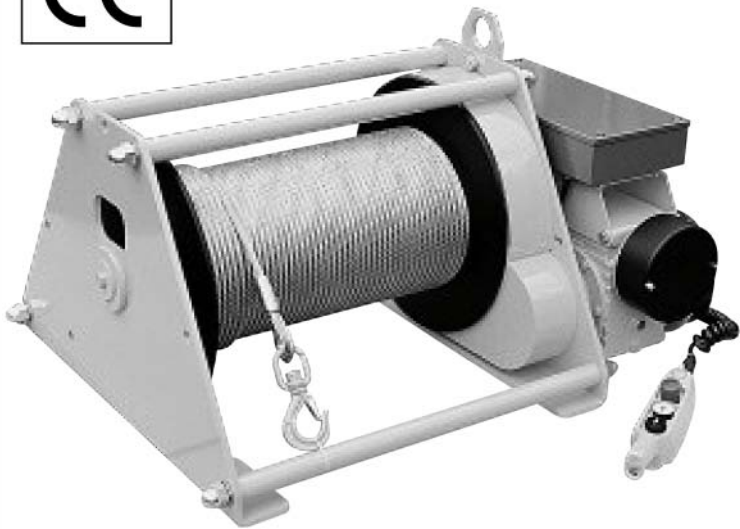


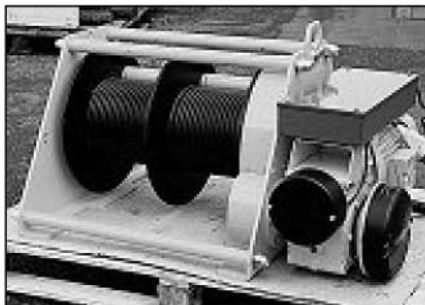
Electric winches TE-Serie



300 kg to 7,5 T



Site construction version with reinforced frame and tubular protection



The modular design allows every adaptation easy and not expensive.



Strengthness and reliability of Huchez mechanical parts



Safety: the mechanical parts are covered



s.a. INDUSTRIAL LIFTING n.v.
 Oudstrijdersstraat 31
 B-1600 Sint-Pieters-Leeuw (Belgium)
 Tel: +32 2 378.06.50 Fax: +32 2 377.58.91
 www.ilsa.be info@ilsa.be

Dimensions and technical data

- Three-phase electric motor, 230/400 V – 50 Hz
- Electromagnetic low voltage operating brake
- Emergency stop
- Electric unit with very low voltage remote control on spiral wound wire, 3 m lenght. Sealed assembly with IP 55 protection. The unit includes:
 - Contactors
 - 24 V transformer
 - Thermal circuit braker
- Primary reduction by oil bath reducer
- Secondary reduction by gears under cover (except for the 300 kg models)

The drums, with a high winding capacity, can be extended or shortened according to needs; in the later case, the winch can be even more compact.

Optional equipments:

- Adjustable Up and Down limit switches (several ratios possible)
- Electric load limiter by current testing (from 1,000 kg this option is obligatory for lifting use, according to the EC directive 98/37)
- Rope-press for two-way systems or the use of several ropes
- Grooved drum equipped on request with several rope fasteners and drum separators
- Drum extended by 50 % as standard or to special length
- Rope slack switch (stops the winch when the rope is no longer under tension)
- Trouble-shooting handwheel with brake release
- When pulling, mechanical drum release (except for the 300 kg models)
- Frequency variator
- Second speed
- For constructions sites work:
 - Reinforced frame
 - Tubular protection

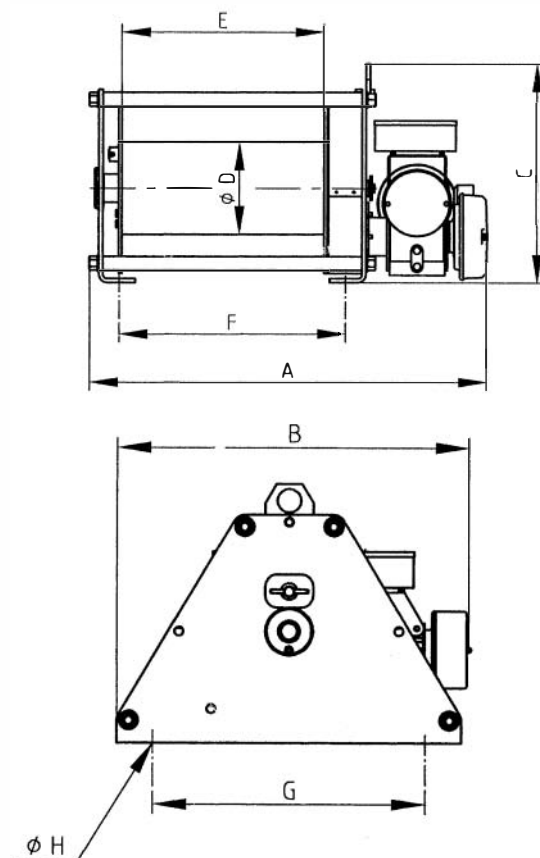
Thanks to their design, most of these options can be easily added at a later stage.

Model	Capacity on the last layer kg	Capacity on the first layer kg	Number of layers	Speed m/min	Motor kW	Rope diameter mm	Rope length maxi m
300 TE 10	300	410	5	10	1.1	4.3	115
300 TE 15	300	410	5	15	1.5	4.3	115
300 TE 20	300	410	5	20	2.2	4.3	115
600 TE 10	600	790	5	10	2.2	6.8	170
600 TE 15	600	790	5	15	3	6.8	170
600 TE 20	600	790	5	20	4	6.8	170
960 TE 10	960	1 320	5	10	3	8	150
960 TE 15	960	1 320	5	15	4	8	150
960 TE 20	960	1 320	5	20	5.5	8	150
1000 TE 10	1 000	1 300	5	10	3	9	230
1000 TE 15	1 000	1 300	5	15	4	9	230
1300 TE 8	1 300	1 670	4	8	3	11.5	145
1300 TE 16	1 300	1 670	4	16	5.5	11.5	145
1600 TE 7	1 600	2 050	4	7	3	11.5	145
1600 TE 12	1 600	2 050	4	12	5.5	11.5	145
2000 TE 6	2 000	2 400	4	6	3	11.5	235
2000 TE 10	2 000	2 400	4	10	4	11.5	235
2600 TE 5	2 600	3 200	4	5	3	13	215
2600 TE 9	2 600	3 200	4	9	5.5	13	215
3300 TE 4	3 300	4 220	4	4	3	15.8	180
3300 TE 7	3 300	4 220	4	7	5.5	15.8	180
5000 TE 2	5 000	6 400	4	2	2.2	18	240
5000 TE 5	5 000	6 400	4	5	5.5	18	240
5000 TE 10	5 000	6 400	4	10	11	18	240
7500 TE 4	7 500	9 500	4	4	7.5	22	240

The indicated rope diameter corresponds to the capacity on the last layer.

In accordance with the EC directive 98/37, all of our electric winches are equipped with emergency stop.

Model	A	B	C	Ø D	E	F	G	Ø H
300 TE 10	675	610	350	89	300	304	260	13
300 TE 15	675	530	350	89	300	304	260	13
300 TE 20	675	570	350	89	300	304	260	13
600 TE 10	875	640	510	159	400	476	460	18
600 TE 15	875	640	510	159	400	476	460	18
600 TE 20	875	640	510	159	400	476	460	18
960 TE 10	875	640	510	159	400	476	460	18
960 TE 15	875	640	510	159	400	476	460	18
960 TE 20	875	640	510	159	400	476	460	18
1000 TE 10	985	742	545	229	500	561	570	18
1000 TE 15	985	742	545	229	500	561	570	18
1300 TE 8	985	742	545	229	500	561	570	18
1300 TE 16	985	742	545	229	500	561	570	18
1600 TE 7	985	742	545	229	500	561	570	18
1600 TE 12	985	742	545	229	500	561	570	18
2000 TE 6	1 210	1 020	880	324	600	714	820	22
2000 TE 10	1 210	1 020	880	324	600	714	820	22
2600 TE 5	1 210	1 020	880	324	600	714	820	22
2600 TE 9	1 210	1 020	880	324	600	714	820	22
3300 TE 4	1 210	1 020	880	324	600	714	820	22
3300 TE 7	1 210	1 020	880	324	600	714	820	22
5000 TE 2	1 480	1 000	920	368	800	893	760	27
5000 TE 5	1 480	1 000	920	368	800	893	760	27
5000 TE 10	1 490	1 270	920	368	800	893	760	27
7500 TE 4	1 510	1 200	1 120	445	800	914	500/1000	27



s.a. INDUSTRIAL LIFTING n.v.
 Oudstrijdersstraat 31
 B-1600 Sint-Pieters-Leeuw (Belgium)
 Tel: +32 2 378.06.50 Fax: +32 2 377.58.91
 www.ilsa.be info@ilsa.be