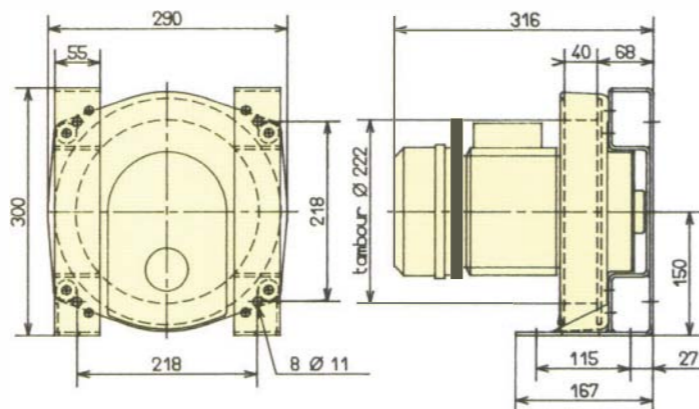
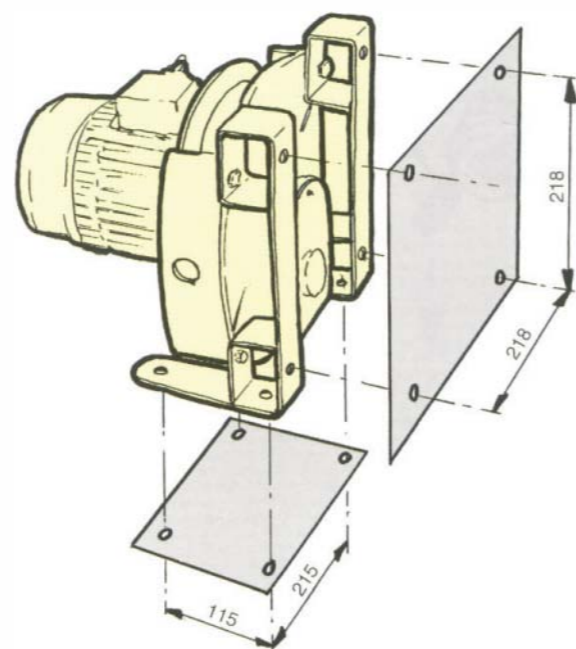


Dimensions and technical data

- Compact machine with vertical and horizontal mounting
- Max. capacity: 200 kg.
- Max. wire rope capacity: 25 m in 4 mm dia.
- Numerous possibilities for wire rope exit direction by swinging the winch through 90° right or left.

Technical description

- Depending on model: single-phase start capacitor brake motor 220 volts - 50 Hz, or three-phase brake motor 220/380 volts - 50 Hz or 380 volts for 2 speeds.
- Direct control 220 volts single-phase and 220/380 volts three-phase (except 2-speed), with double insulated IP657 control box or 24-volt very low voltage control (option).
- Optional limit-switch system (only with very low voltage control for three-phase models).



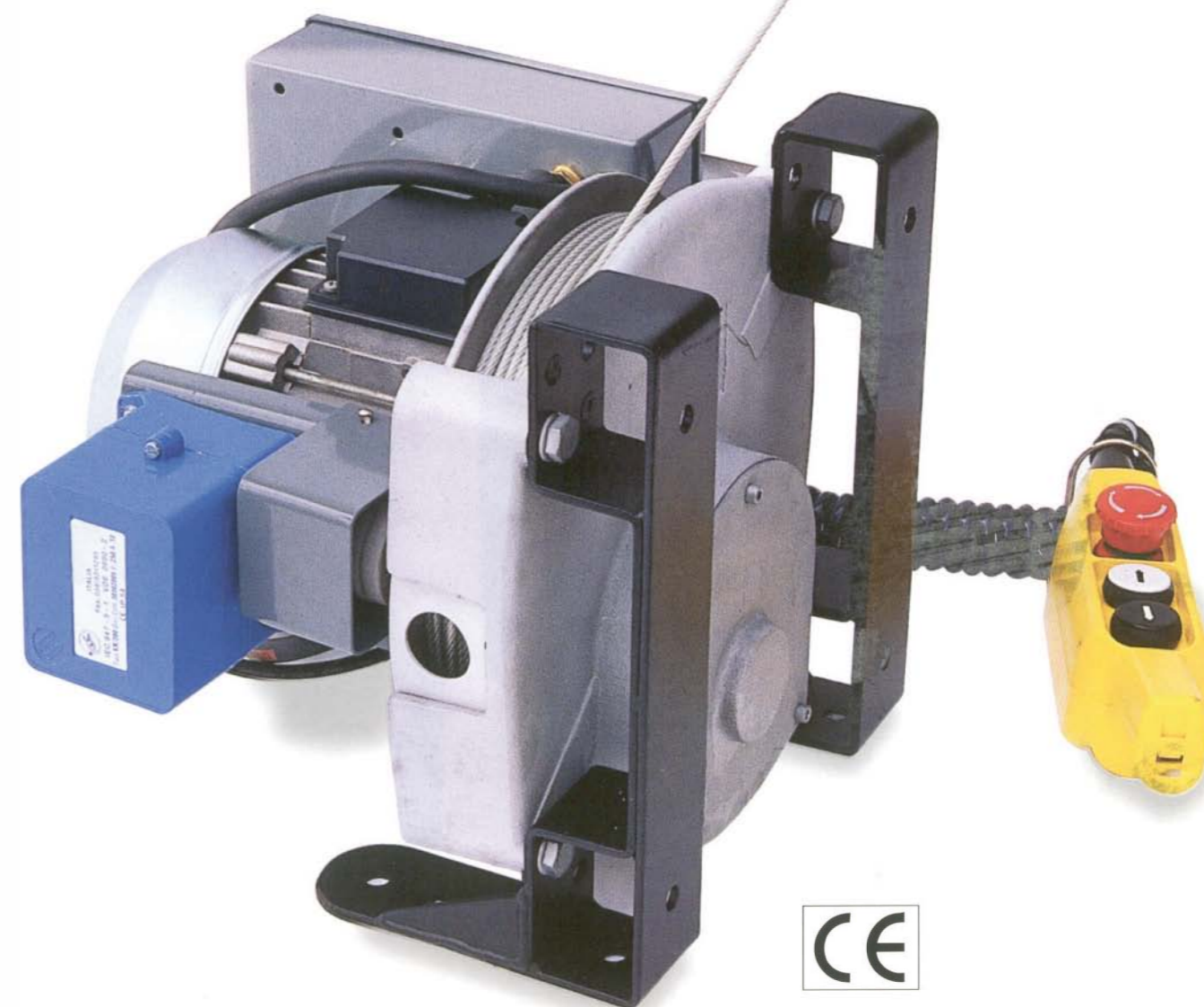
Model	Motor KW	Capacity kg	Speed m/mn	Rope cap. m	Rope dia. mm	Weight kg
Tirlev 201 V 20	0,75 mono	200	20	25	4	25
Tirlev 203 V 20	0,75 tri	200	20	25	4	25
Tirlev 203 V 10	0,37 tri	200	10	25	4	25
Tirlev 203 V 12	0,37/0,75 tri	200	10/20	25	4	25

Model	Supply	Speed	Direct control	24 V LV	Limit switch	
					Direct control	24 V LV
Tirlev 201 V 20	Mono	1	•	•	•	•
Tirlev 203 V 20	Tri	1	•	•	no	•
Tirlev 203 V 10	Tri	1	•	•	no	•
Tirlev 203 V 12	Tri	2	no	•	no	•

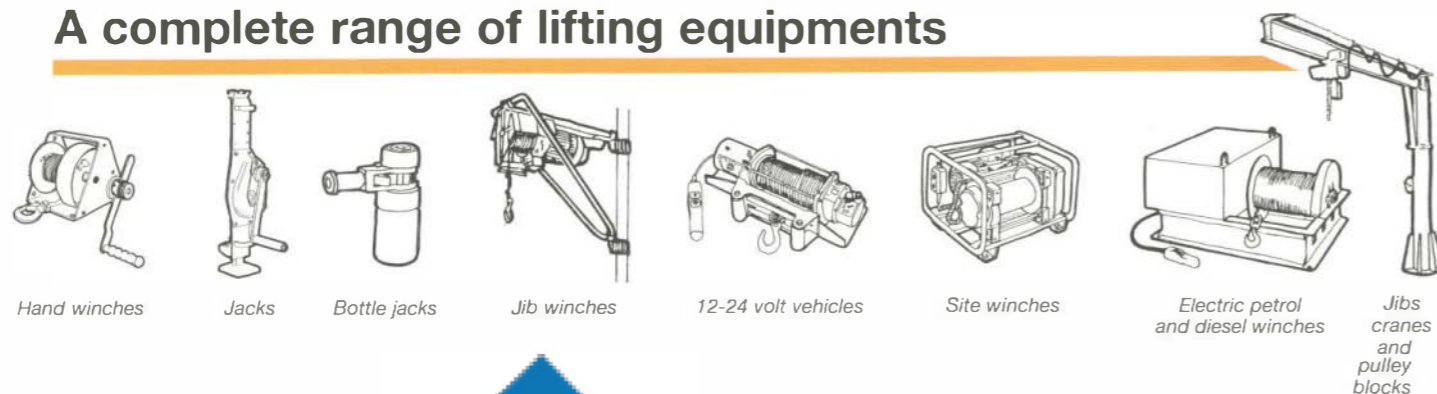
COMPACT ELECTRIC WINCH

TIRLEV®

Capacity 200 kg

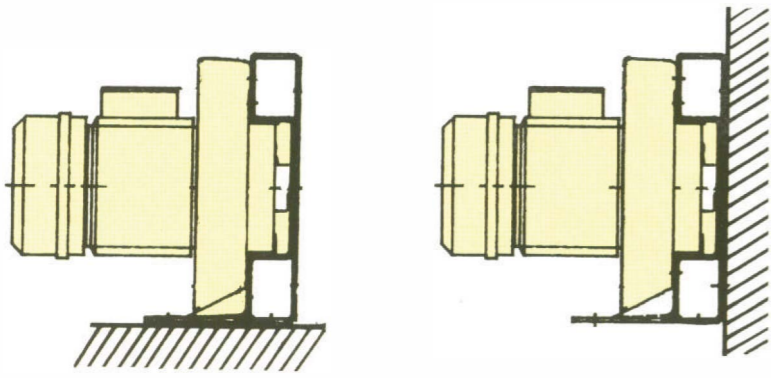


A complete range of lifting equipments

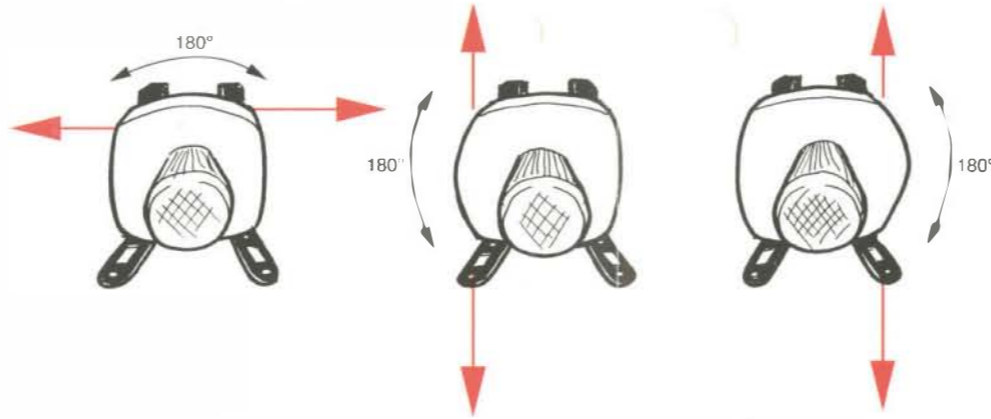


s.a. **INDUSTRIAL LIFTING** n.v.
 Oudstrijdersstraat 31
 B-1600 Sint-Pieters-Leeuw (Belgium)
 Tel: +32 2 378.06.50 Fax: +32 2 377.58.91
 www.ilsa.be info@ilsa.be

TIRLEV®, the ultra-compact 200 kg winch

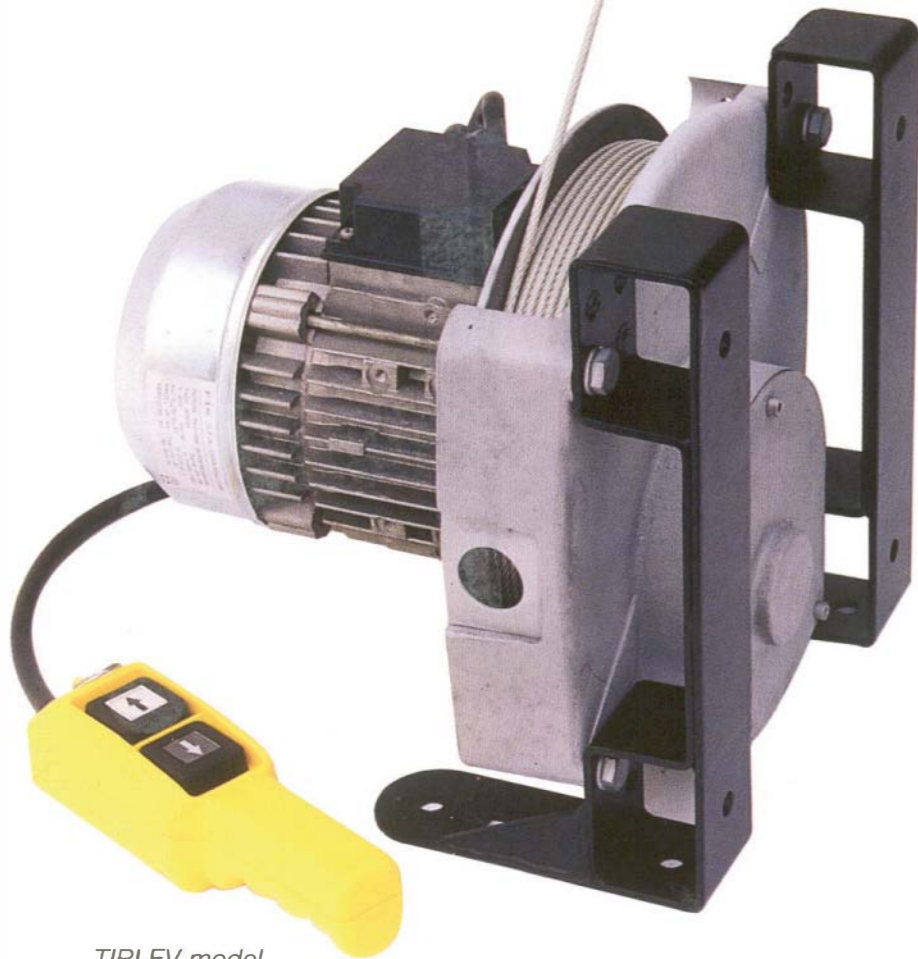


Horizontal or vertical mounting

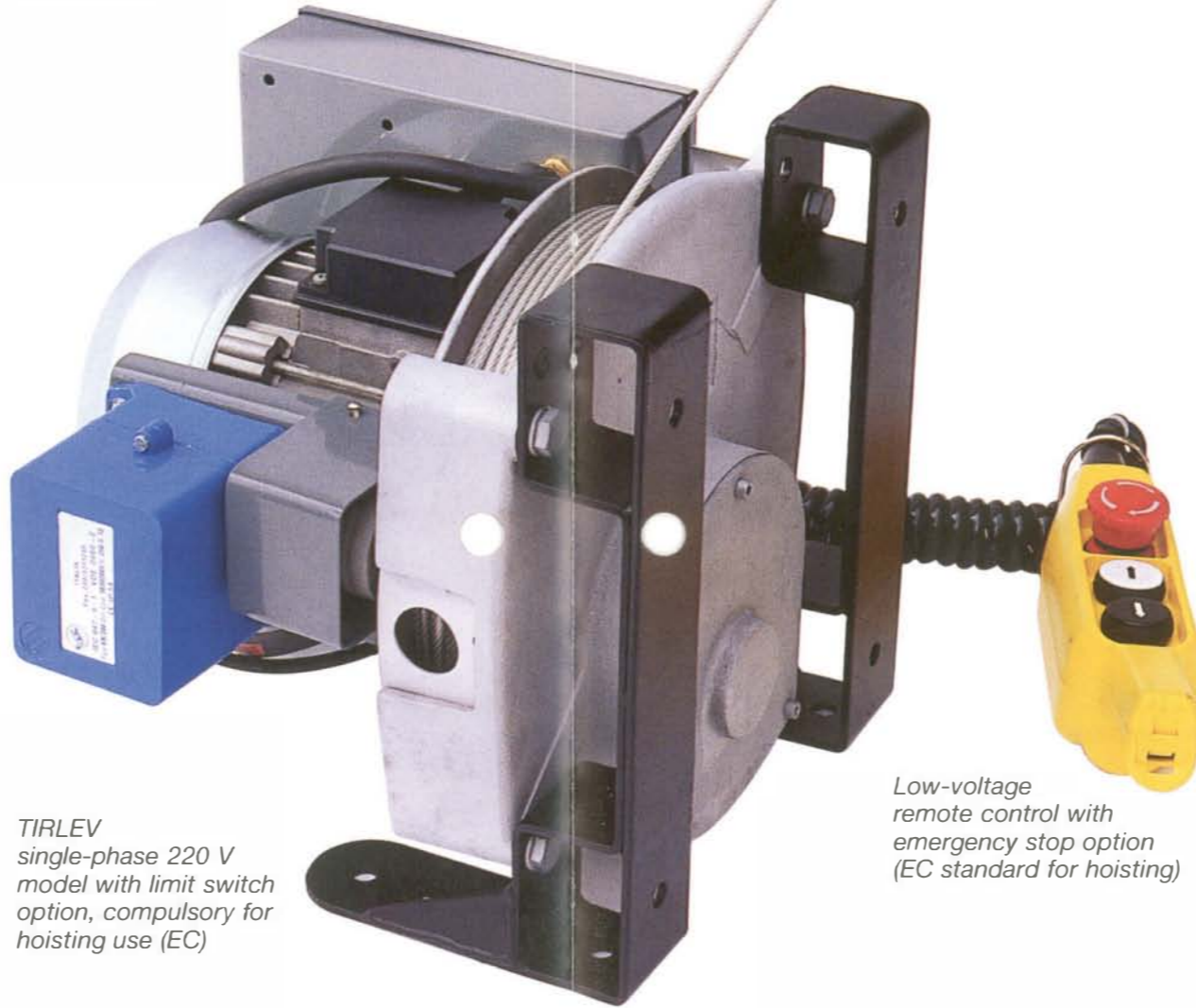


Wire rope exit in a variety of direction

Cradle for horizontal or vertical mounting. The winch can be swung and rebolted at 90° to right or left.



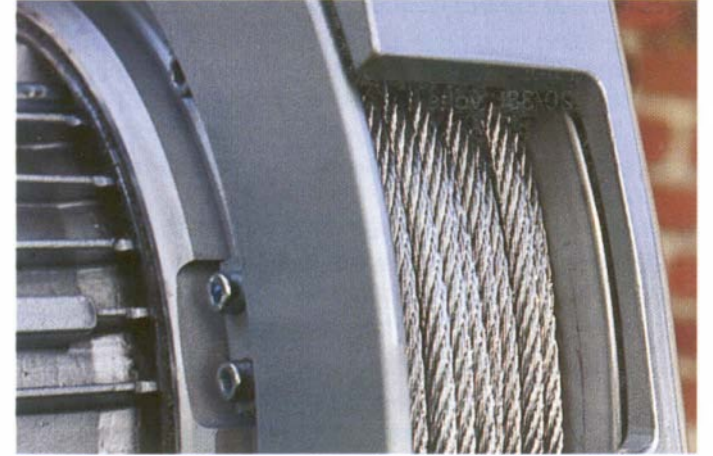
TIRLEV model with direct control



TIRLEV single-phase 220 V model with limit switch option, compulsory for hoisting use (EC)

Low-voltage remote control with emergency stop option (EC standard for hoisting)

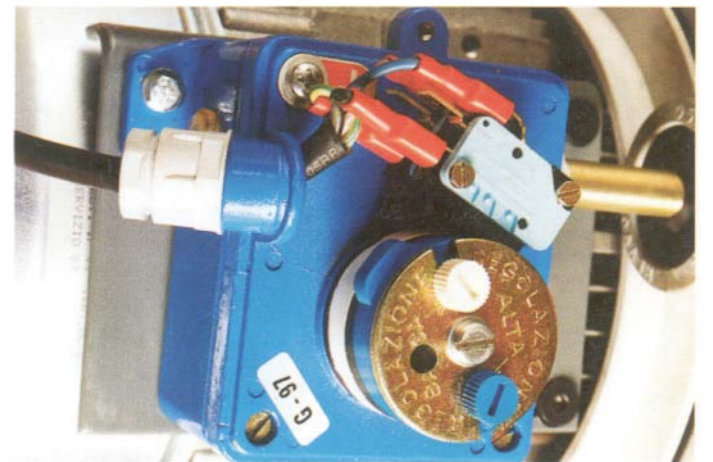
Narrow drum for correct wire rope winding



The fixing flanges are specially pierced to allow vertical downward lift



Optional upper and lower limit switch



CE **single and three-phase**
 EC REGULATION: As at 1.01.95, the EC regulation lays down certain equipment compulsory (directives 89.392 - 91.368).
 The electric winches used for lifting, or the installation must include:
 • A limit switch system.
 • The emergency stop is recommended if it is not mounted on the installation.



s.a. INDUSTRIAL LIFTING n.v.
 Oudstrijdersstraat 31
 B-1600 Sint-Pieters-Leeuw (Belgium)
 Tel: +32 2 378.06.50 Fax: +32 2 377.58.91
 www.ilsa.be info@ilsa.be